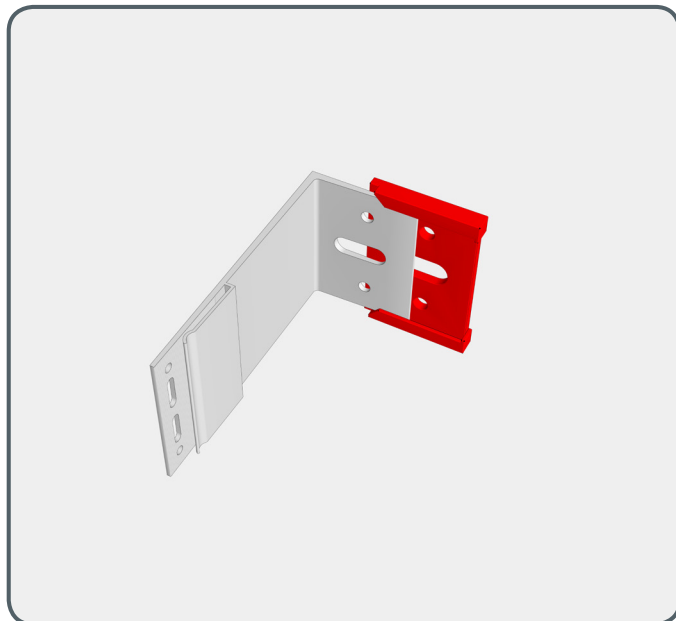


# Mounting manual

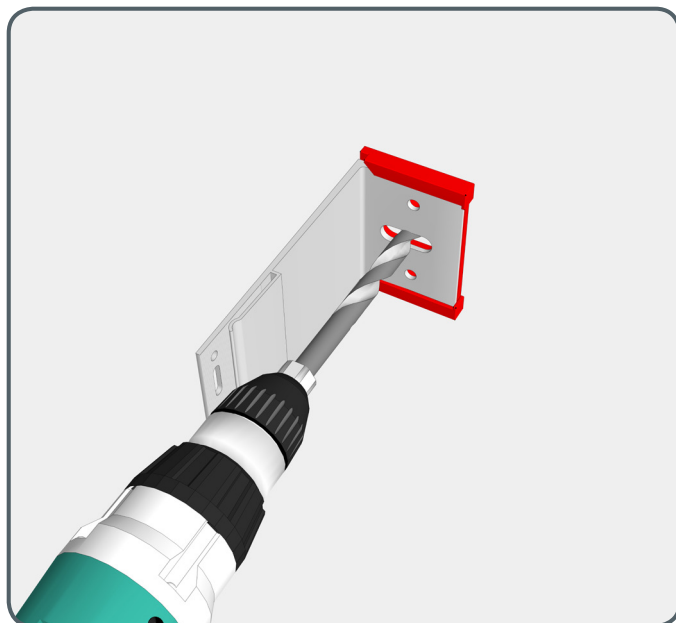
## Phase 1:

Inserting thermostop inside the dedicated slot



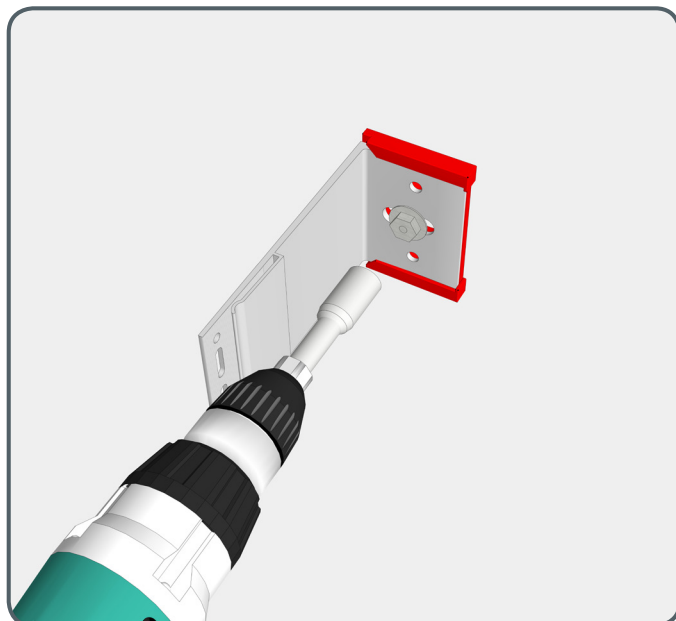
## Phase 2:

Use central hole of the bracket to realise a first hole in the load-bearing structure (normally starting from the upper perimeter of the facade)



## Phase 3:

Definitive fixing of the bracket with suitable type of anchorage



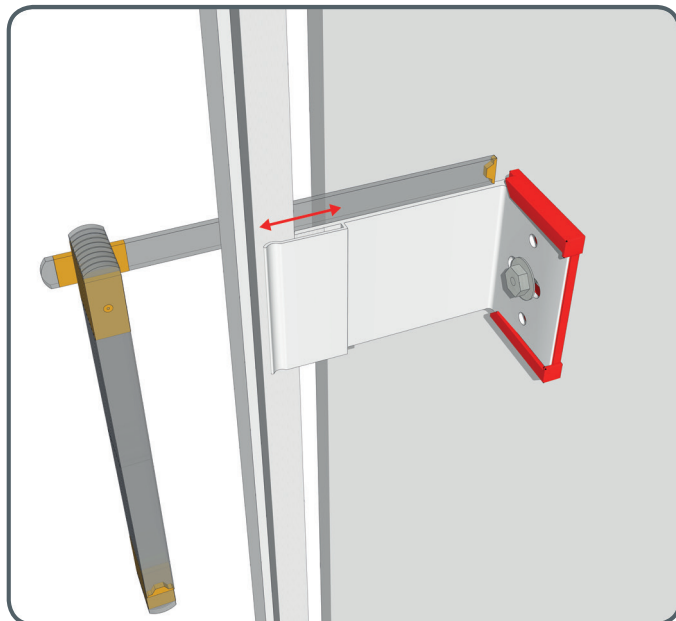
# MM

# Mounting manual

## Phase 4:

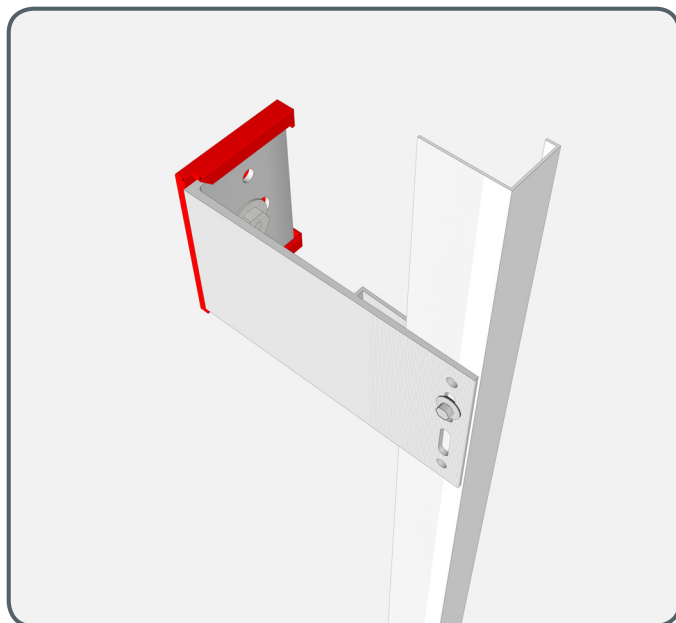
Insert and regulate the supporting profile in the bracket pouch. This allows a maximum range for regulation of 30 mm

(a ventilation chamber between profile and insulating material of at least 25 mm is recommended)



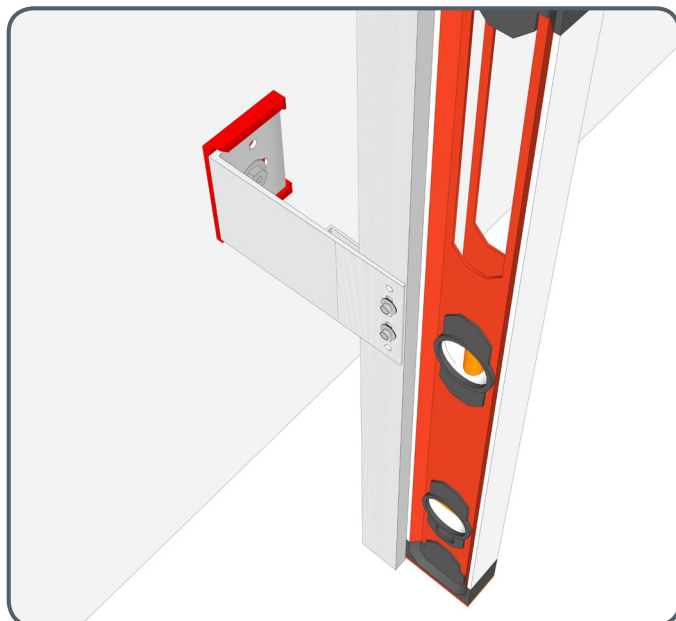
## Phase 5:

Locking of the supporting profile to the bracket. At the beginning, it is advisable to use a movable point to enable its subsequent regulation



## Phase 6:

Perpendicular regulation of the supporting profile and subsequent second fixing

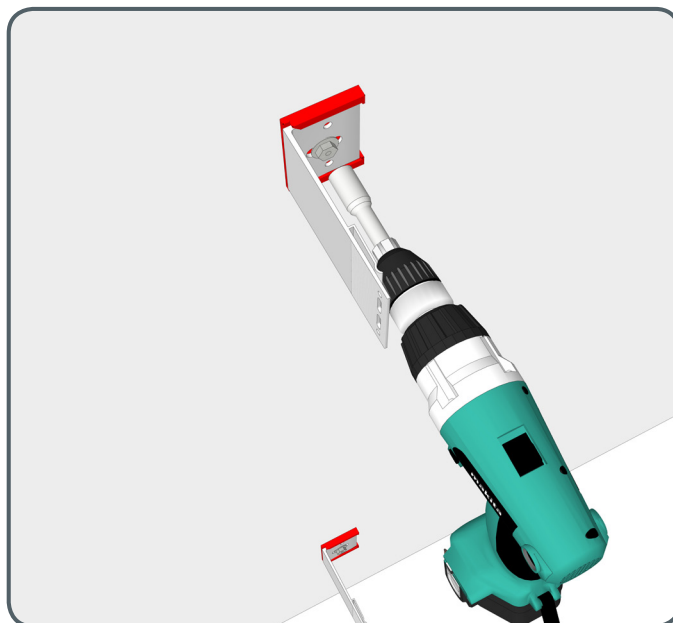


# MM

# Mounting manual

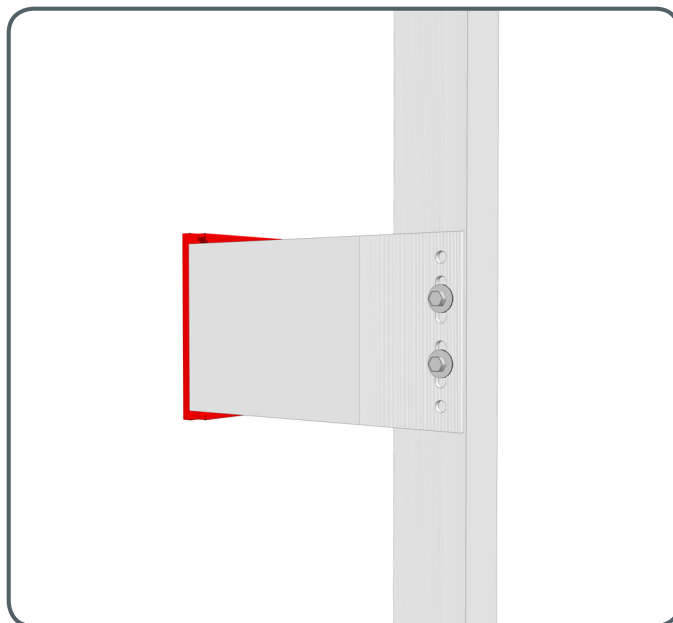
## Phase 7:

Proceed with the fixing of next brackets completing the whole surface of the facade



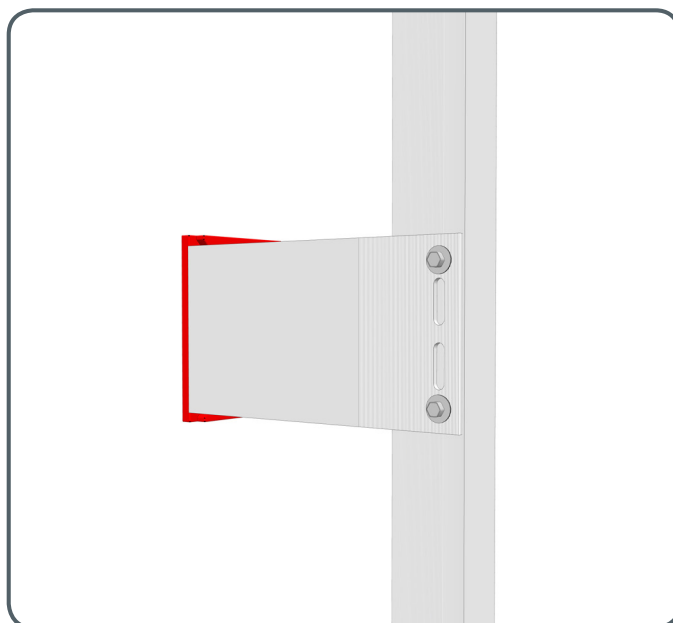
## Phase 8:

It is always necessary to take into consideration aluminium expansion; in particular we advise the use of movable points in "central" parts of the structure and fixed points in final parts. Always remember to leave a distance of at least 10 mm between supporting profiles



## Fase 9:

It is always necessary to take into consideration aluminium expansion; in particular we advise the use of movable points in "central" parts of the structure and fixed points in final parts. Always remember to leave a distance of at least 10 mm between supporting profiles



# MM